



- Easy mounting
- "Slim Line" type aluminum carrier body
- Magnetic tape integrated in profile
- Protection class IP67
- Resistant to humidity
- Stainless steel cover strip

The highly rugged, flexible plastic magnetic tape can be applied to a machine tool easily. With a special industrial adhesive layered strip, Magnetic Tape can be attached to the overside of the profile system.

The magnetic material is magnetised in defined and even distances and works as a solid measure. The magnetic scale retains its firmness by means of a spring steel base.

Technical Specifications	
Operating temperature	-25 to +85°C
Pole pitch	5 mm, 2 mm
Accuracy Class	±40µm /m or ±20µm/m
Storage temperature	B5 (-40°C to +120°C B2)
Body Material	Anodized Aluminum
Protection Class	IP67

The Magnetic Reading Sensors That Can Be Used With MPS 200 Series Profiles

- MRS 210
- MRS 110
- MRS 120
- MRS 130



Order Code

Model

MPS 210
MPS 220
MPS 230

XX XXX

Magnetic Tape

B5 , 5 Pole Pitch
B2, 2 Pole Pitch

XX

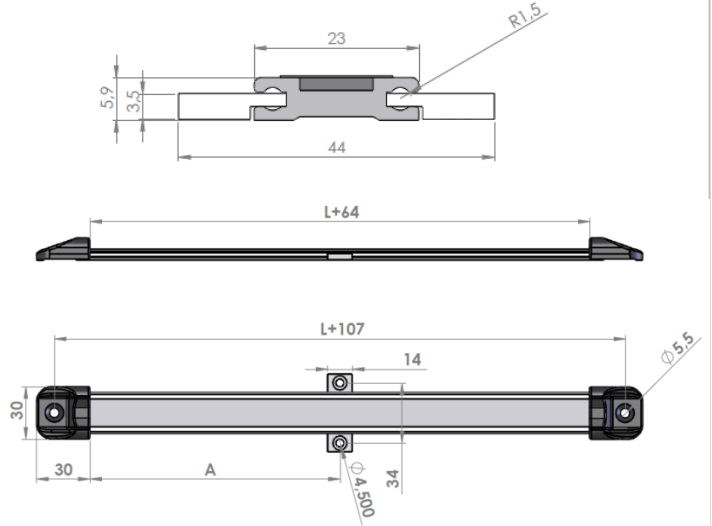
XXX

Measuring Length

MPS 210 - Mechanical Dimensions



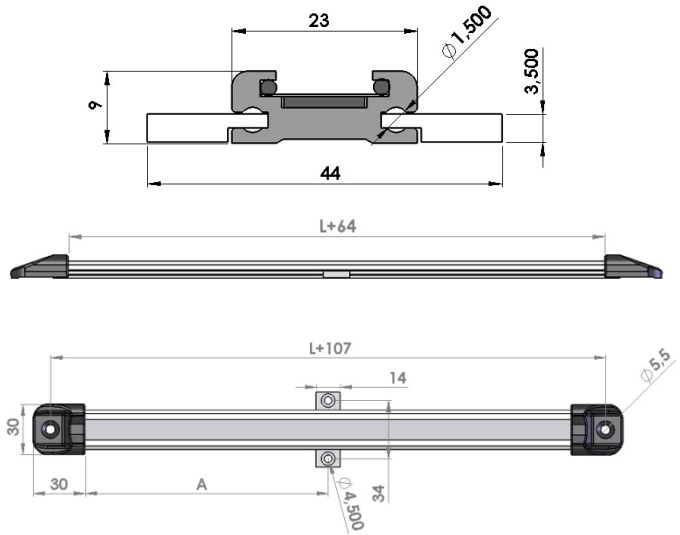
MPS 210



MPS 220 - Mechanical Dimensions



MPS 220



MPS 230 - Mechanical Dimensions



MPS 230

