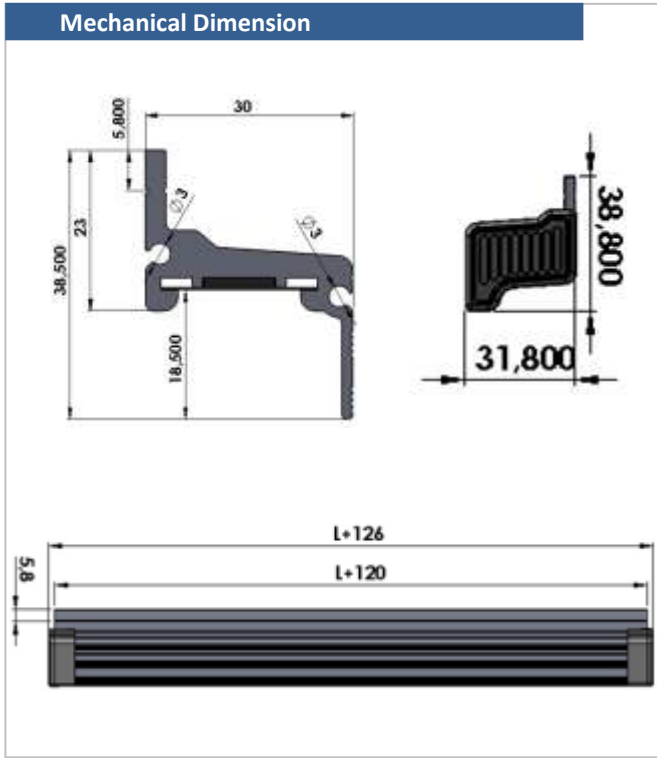




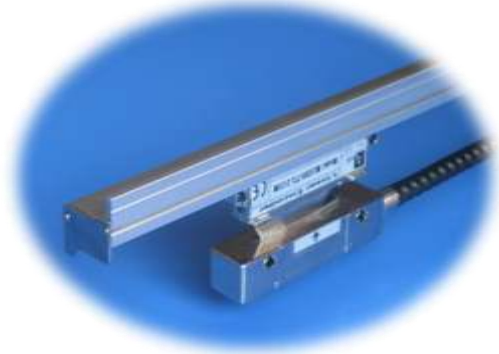
- Tape in "Z" Aluminum Profile
- Contactless and Wear Free System
- Very Easy Mounting
- High Accuracy
- Protection Class IP67

In the system magnetic tape integrated in the type profile. The most important specialty of this system is easy assembly. It can be used with MRS100 and MRS200 series reader sensors.



Technical Specifications

Life	Infinite (Contactless)
Body Material	Aluminum (Z) Type Profile
Gap Between Tape and Sensor	1,5 mm (Maximum 2,5 mm)
Magnetic Tape Type	B5 (Optional B2)
Operating Temperature Range	-25 to +85°
Protection Class	IP67



Order Code

Model MPS110	Magnetic Tape B5 , 5 Pole Pitch B2, 2 Pole Pitch	
XX XXX	XXX	XX
Measuring Length		