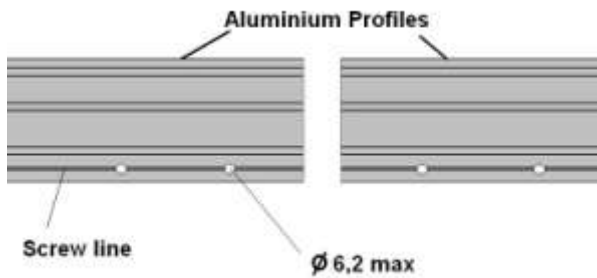


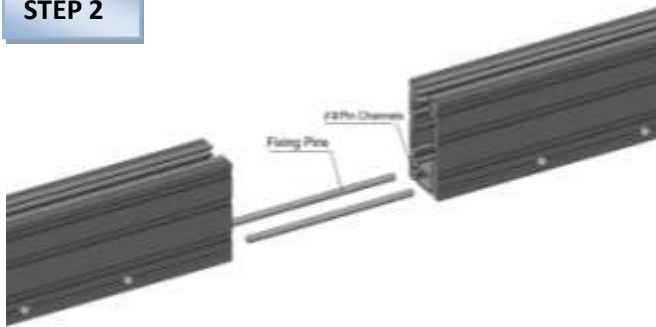
### STEP 1



A fastening apparatus to fix 2 aluminum profiles has been sent to you.

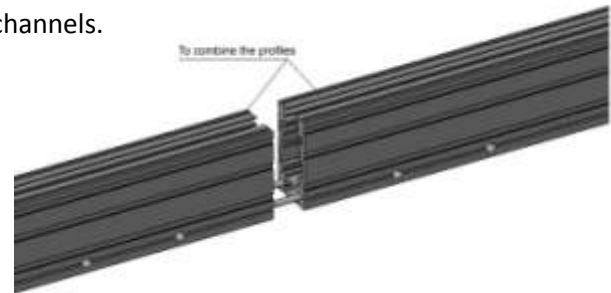
Drill 4 screw-holes for this apparatus mounting as shown below picture. The diameter of holes' diameter can be 6,2 mm maximum.

### STEP 2

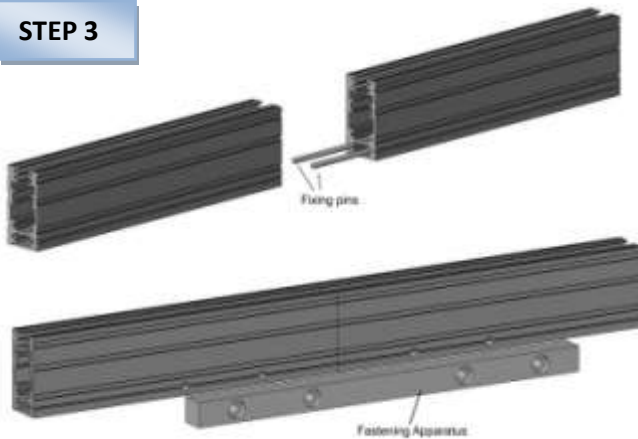


Place the several parts of aluminum profile on a flat ground to fasten each other.

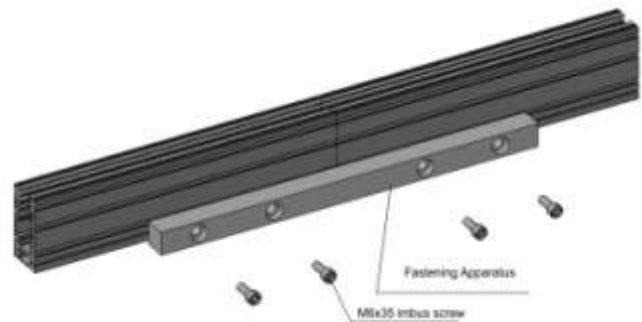
2 pieces of fixing pins have been sent to you. Place these pins into channels.



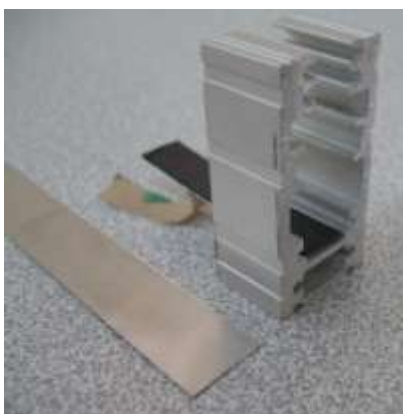
### STEP 3



Combine two sections of aluminum profile and fasten them each other like shown below pictures.



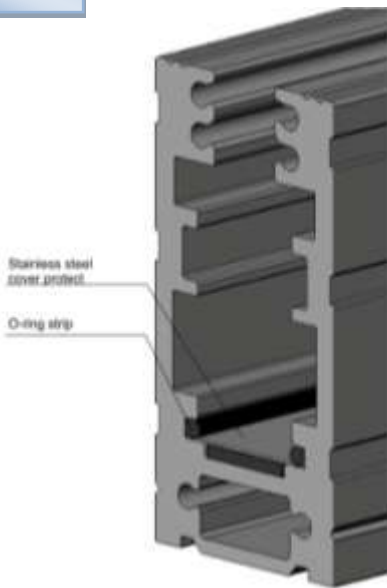
### STEP 4



Emplace the adhesive magnetic tape into the aluminum profile (Pay attention to the adhesive sticker should be underside). Then, stick out slowly the adhesive sticker paper and adhere the magnetic tape bit by bit as possible.



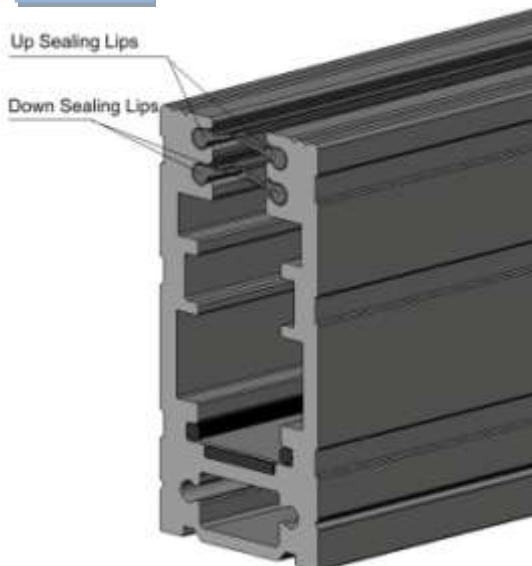
## STEP 5



Put the Stainless Steel protect cover over the magnetic tape.

Place & Impress the O-ring strip inside to channel in which the stainless steel cover has placed to stabilize and to prevent the moving of it.

## STEP 6

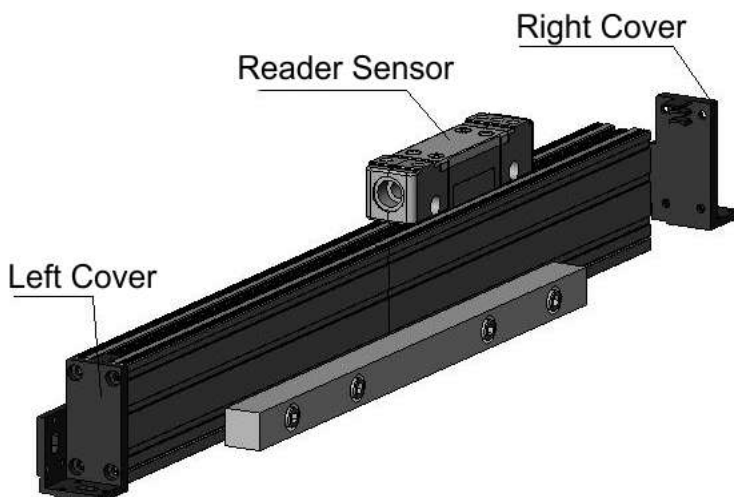


Place the Sealing lips into over side channels on the profiles.

Glue one end of the lips with a strong adhesive. Pay attention not to glue the lips each other and flow inside the profile.

When the lips get dry, pull the lips (must tense) and glue the other way.

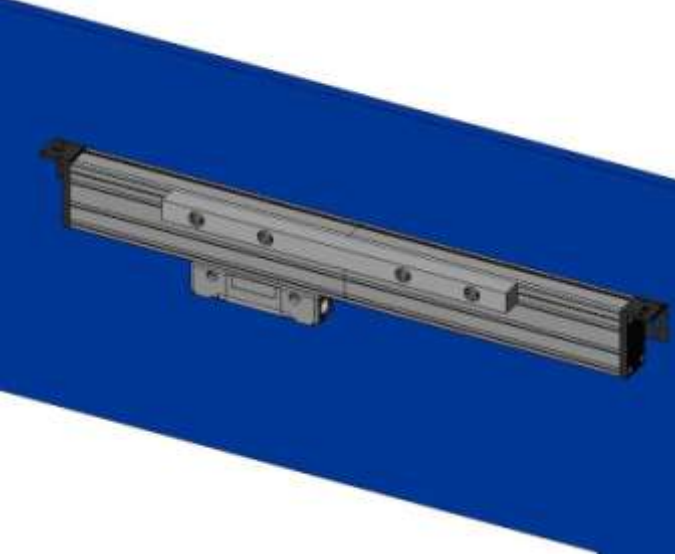
## STEP 7



Put the reader sensor inside the scale (pay attention to the cable way).

Close the right cover and left cover.

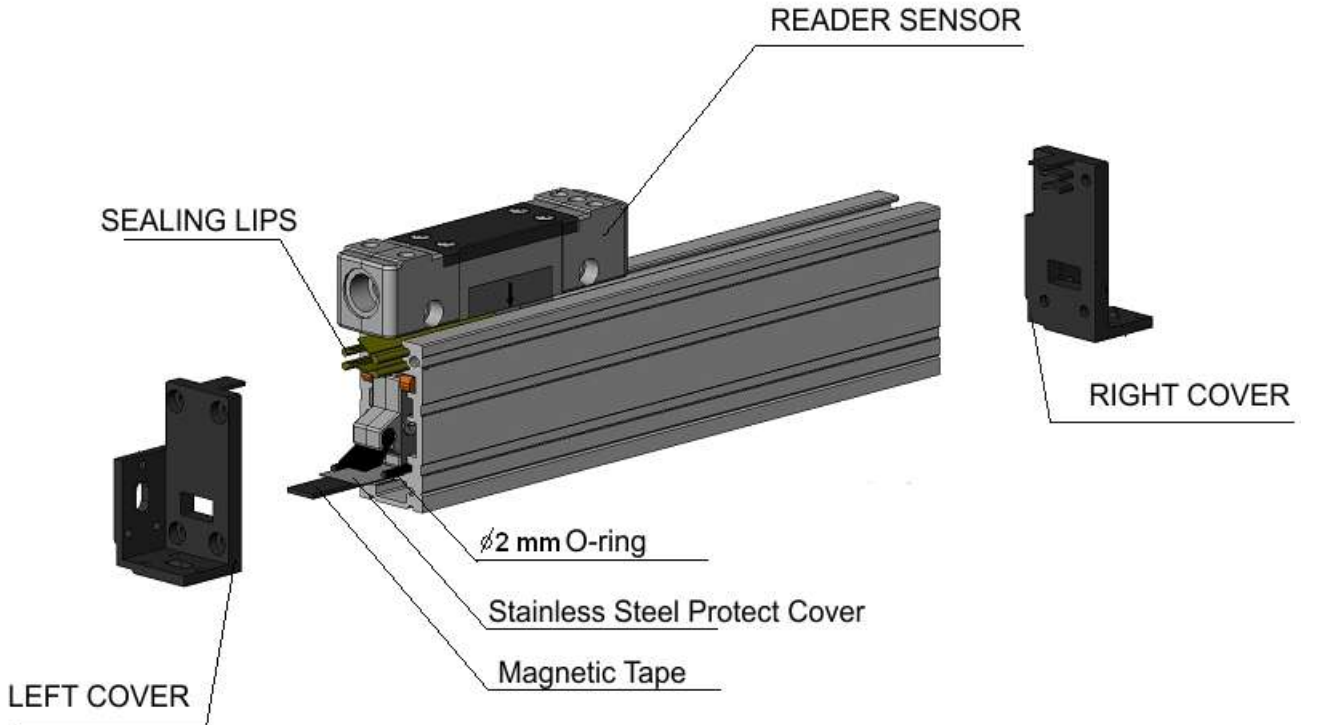
## STEP 8



Tighten the bolts near combined places. Check the parallelism of the scale.

Remove the fastening apparatus before installation and use the screw holes for installation to the machine.

## MLS310 INSTALLATION



İES ELEKTRONİK MAKİNA SAN.İÇ ve DIŞ TİC. LTD.

Davutpaşa Caddesi Kale İş Merkezi No:141/121

TR 34020 Topkapı -İstanbul / TURKEY

Tel: +90 212 4834011 Fax: +90 212 4834012

[www.ies.com.tr](http://www.ies.com.tr) [info@ies.com.tr](mailto:info@ies.com.tr)