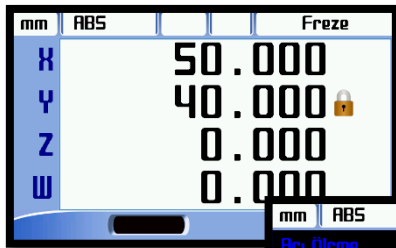




- 2, 3 or 4 Axis
- User Designated Resolution
- USB or RS232 Port Option
- Open Collector Outputs
- 2D Simulations
- Angle Measurement
- 24 VAC/VDC or 85 – 265 VAC Supply
- 1.000 Coordinate Memory
- 5 Language Options

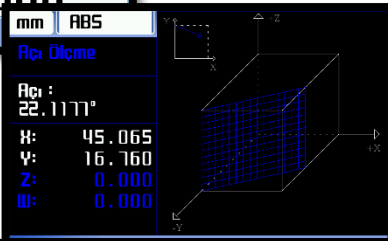
New LCD DRO, MNEL600 Series Digital Readouts can meet the application in all machine tools with maximum performance and it includes features that are essential for increasing productivity. 5 different language choice is existed as Turkish, English, German, Spanish and Portuguese. USB or RS232 port connection available. Functions can be used with 2D simulations.

MNEL600 has 6 Open Collector outputs. Every output can be used with a chosen axis.



- ✓ Rectangular Pocket
- ✓ Bolt Hole
- ✓ Linear Pattern

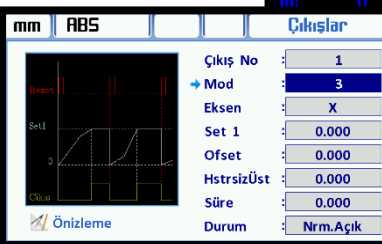
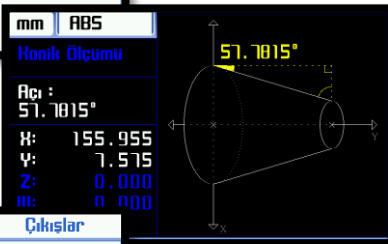
- ✓ Radius
- ✓ Taper Measure
- ✓ Angle Measure



- ✓ Error Compensation
- ✓ Axis Summary
- ✓ Diameter Mode



- ✓ Erosion
- ✓ User Modes
- ✓ Shrink



And more functions...

Technical Specifications

| | |
|------------------------|--|
| Number Of Axis | 2, 3, 4 |
| Display | Color LCD |
| Display Resolution | User can designate as requested |
| Input Signal | Available Push Pull or TTL A,B,Z (Line Driver A, B, Z, /A, /B, /Z) Incremental Encoder Signals |
| Weight | ~ 2,7 Kg |
| Power Supply | 85 – 265 VAC 50/60 Hz. or 24 VAC/VDC |
| Storage Temperature | - 25 ~ 65 °C |
| Operation Temperature | -10 ~ 45 °C |
| Relative Humidity | %20 - %85 |
| Dimensions (H x W x T) | 202mm x 320mm x 84mm |
| Housing | Aluminum Injection Housing |

Order Code

Model

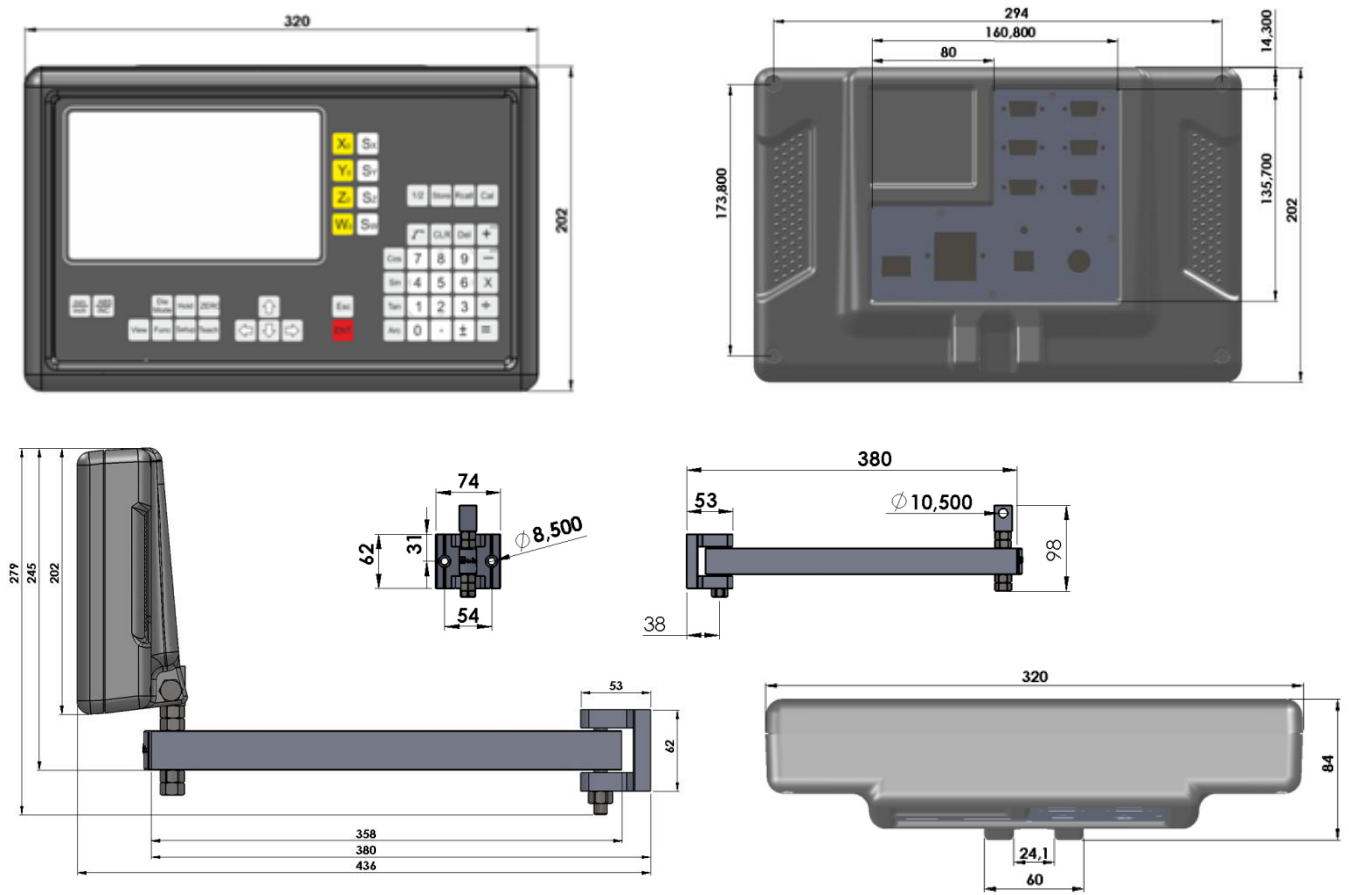
M N E L 6 0 -

Axis Number

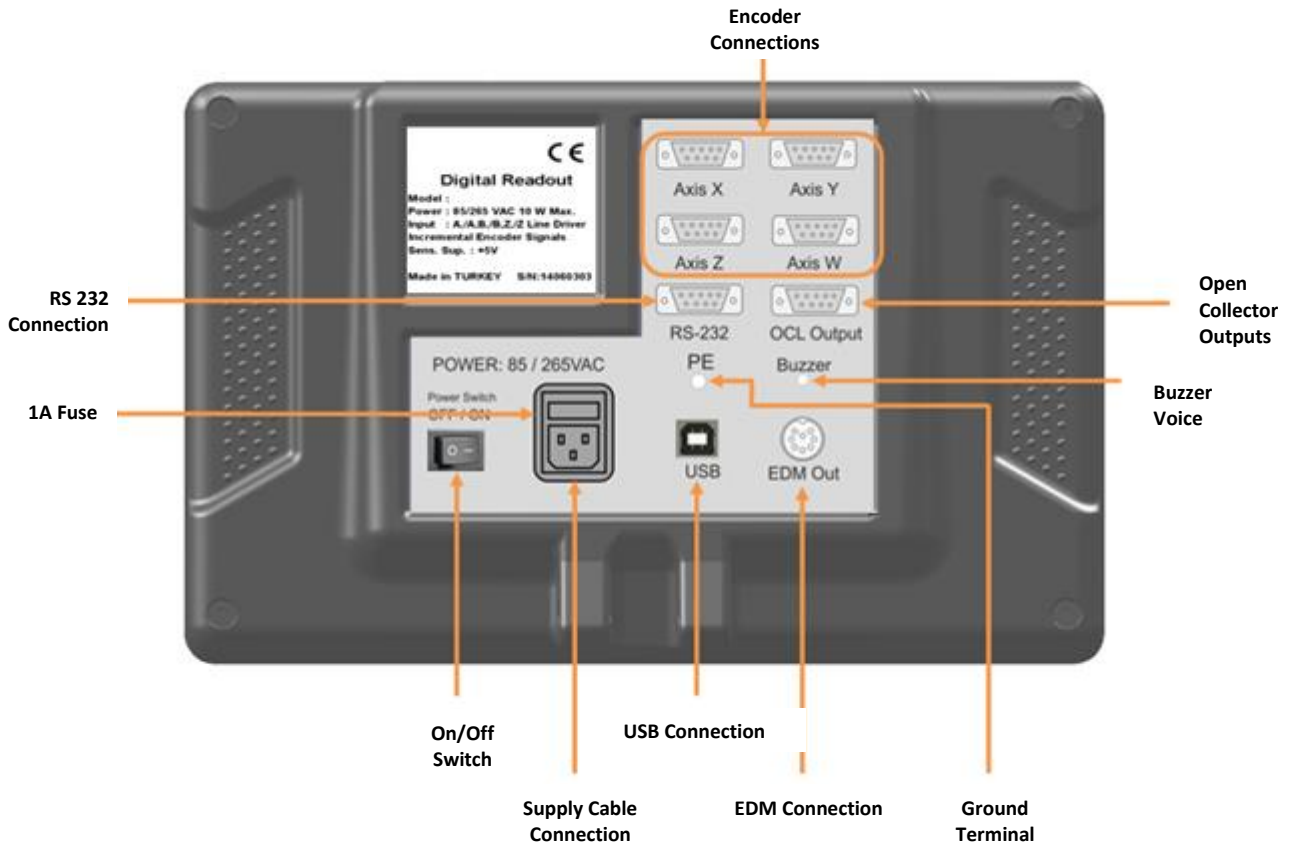
- 2 : 2 Axis
- 3 : 3 Axis
- 4 : 4 Axis



Mechanical Dimensions



Connections



İES ELEKTRONİK MAKİNA SAN.İÇ ve DIŞ TİC. LTD.

Davutpaşa Caddesi Kale İş Merkezi No:141/121

TR 34020 Topkapı -İstanbul / TURKEY

Tel: +90 212 4834011 Fax: +90 212 4834012

www.ieselektronik.com info@ies.com.tr