



- Contactless and Wear-Free System
- High Tolerance to Shock and Vibration
- Resistant to Dirt, Humidity and Dust
- Requires No Cleaning or Maintenance
- Robust Shielded Metal Enclosure
- Protection Class IP67
- Compact Design

The encoder forms a compact unit. The scanning unit is guided within the housing along scale.

Long life linear motion guide system. The scale, scanning unit and guide are protected against contamination by an aluminum extrusion and elastic sealing lips.

The coupling elements between the scanning carriage and transfer web are designed to transfer motion in the measuring direction only.

Pitch or other motion of the connecting web in a direction perpendicular to measurement is compensated without affecting accuracy.

#### MLS 320 Series Linear Encoders Are Mainly Used In:

- Lathes, Milling, Drilling, Grinding Machines
- Sheet Metal Working Machines
- Welding Machines
- Bending Machines
- Robotics/Materials Handling
- Marble Machines
- Wood Cutting Machines
- PVC Profile Cutting Machines
- Glass Working Machinery  
Etc...

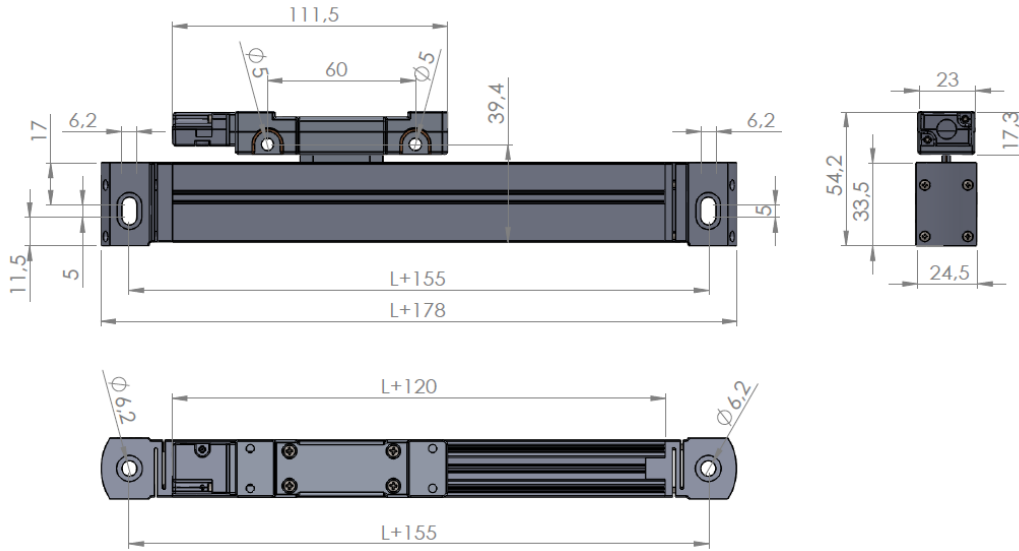
#### Technical Specifications

<b>Resolution</b>	5µm, 10µm, 25µm, 62.5µm (or on request)
<b>Output Type</b>	Push-Pull or TTL RS422 Line Driver
<b>Output Signals</b>	A, /A, B, /B, Z, /Z
<b>Input Current</b>	Maximum 40 mA per Channel
<b>Power Supply</b>	PPL: 10..30 VDC or TTL: 5 VDC
<b>Housing Material</b>	Sensor: Nickel Plated Aluminum Scale Profile: Anodized Aluminum
<b>Electrical Connection</b>	Max. 50 m Cable
<b>Magnetic Tape Pole Length</b>	5 mm, 2 mm, 1mm
<b>Travel Velocity</b>	3 m/s
<b>Repeatability</b>	± 1 Pulse
<b>Operating Temperature</b>	-25 to +85°
<b>Protection Class</b>	IP67

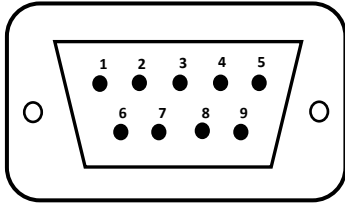
#### Measurement Stroke (mm)

100	120	150	170	200	220	250	270	300	320
350	370	400	420	450	470	500	520	550	570
600	650	700	750	800	850	900	950	1000	

## Mechanical Dimensions



## Pin Connections



Pin Number	Cable Colour	Signal
1	Blue	/A
2	Black	0 V
3	White	/B
4	Shield	GROUND
5	Grey	/Z
6	Yellow	A
7	Red	POWER SUPPLY
8	Green	B
9	Pink	Z

## Order Code

**Order Code Structure:** **MLS320** - **XXXX** - **XX** - **XXX** - **X** - **XX** - **X** - **XXX**

**Model**

**Measuring Stroke**  
Optional, User Defined mm

**Resolution**  
01 : 1µm | 05 : 5µm  
10 : 10µm | 25 : 25µm  
62 : 62,5µm | 80 : 80µm  
100 : 100µm

**Power Supply and Output**  
TTL : 5VDC ± %5 Power Supply  
5 VDC TTL RS422 Line Driver Output  
PPL : 24 VDC ± %20 Power Supply  
24 VDC Push-Pull Output  
HTL : 24 VDC ± %20 Power Supply  
5 VDC TTL RS422 Line Driver Output

**Signal Output Type**  
2 : A, B  
3 : A, B, Z  
4 : A, /A, B, /B  
6 : A, /A, B, /B, Z, /Z

**Cable Length**  
3M : 3 Meters  
5M : 5 Meters  
8M : 8 Meters  
10M : 10 Meters  
\* Optional Between 5m to 50m

**Sensor Type**  
C : Cable  
S : Spiral

**Connector Type**  
S41- 8 pins Round  
S42- 9 pins Flat

## İES ELEKTRONİK MAKİNA SANAYİ İÇ ve DIŞ TİC. LTD

Davutpaşa Cad. Kale İş Merkezi No:121 TR34010 Zeytburnu-Istanbul / TURKEY

Tel: +90 212 4834011

Fax: +90 212 4834012

[www.ieselektronik.com](http://www.ieselektronik.com)

[info@ies.com.tr](mailto:info@ies.com.tr)